

Geometra Contrasting Fabric Design

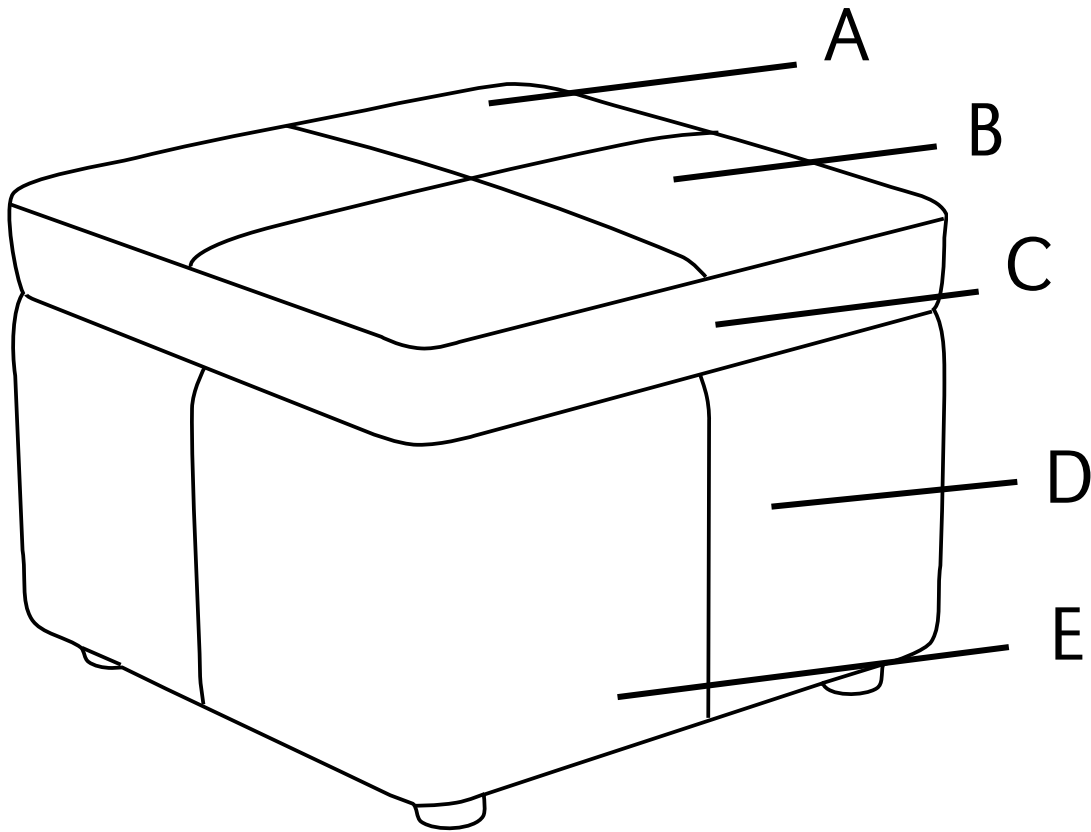
Customer Name

ERG Order Number

Customer Number

Customer P.O. Number

Model Number _____



A _____

B _____

C _____

D _____

E _____

Geometra Contrasting Fabric Design

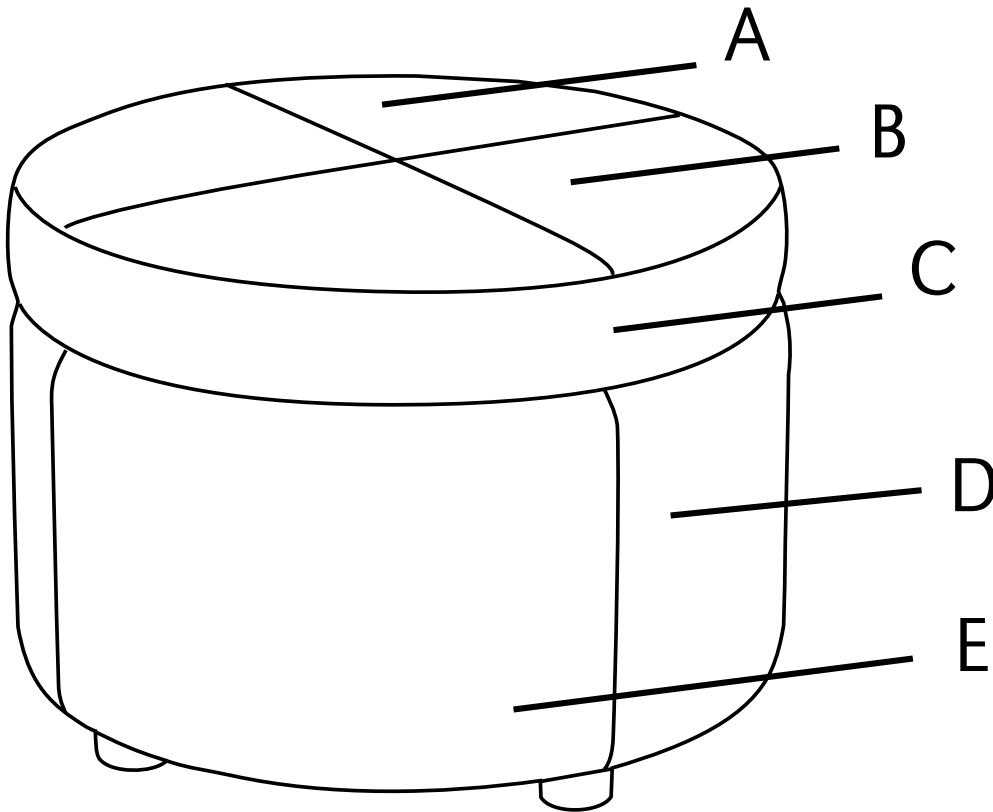
Customer Name

ERG Order Number

Customer Number

Customer P.O. Number

Model Number _____



A _____

B _____

C _____

D _____

E _____

Geometra Contrasting Fabric Design

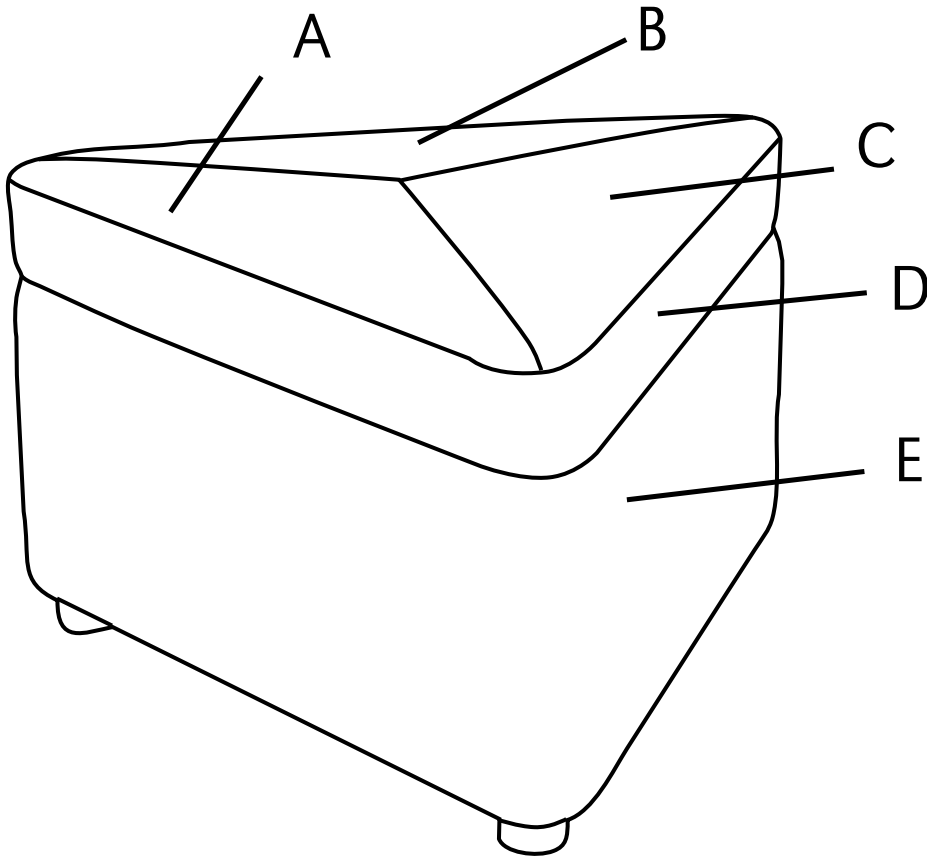
Customer Name

ERG Order Number

Customer Number

Customer P.O. Number

Model Number _____



A _____

B _____

C _____

D _____

E _____